



Conception and realization of specials machines and productions lines for plastic engineering

Realizations:

- Conformators
- Pre-painting treatment stations
- Skiving of injection sills
- Automatic feeding of parts
- Hot or cold punching machines
- Automatic gluing down and turn in of fabrics...
- Shrinking on, screwing, clipping, welding, US welding...
- Checking for presence of product
- Design and production of all the automated transfert plant
- Automatic gluing line

Products:

- Bumpers
- Wings
- Roofs
- Rear bonnets
- Dashboards
- Doors panel

BARON Groupe

ZAC Marcel Doret

969 Rue Louis Bréguet

62100 CALAIS - FRANCE

Tél : +33.(0)3.21.46.05.70 - Fax : +33.(0)3.21.35.93.28

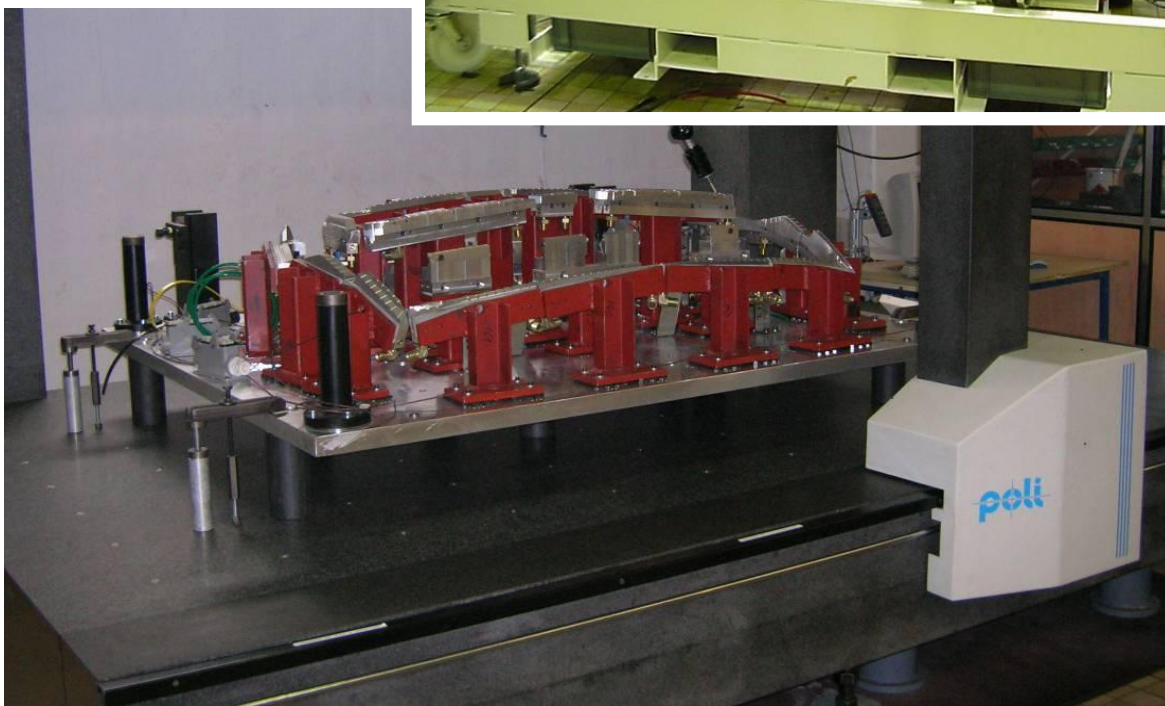
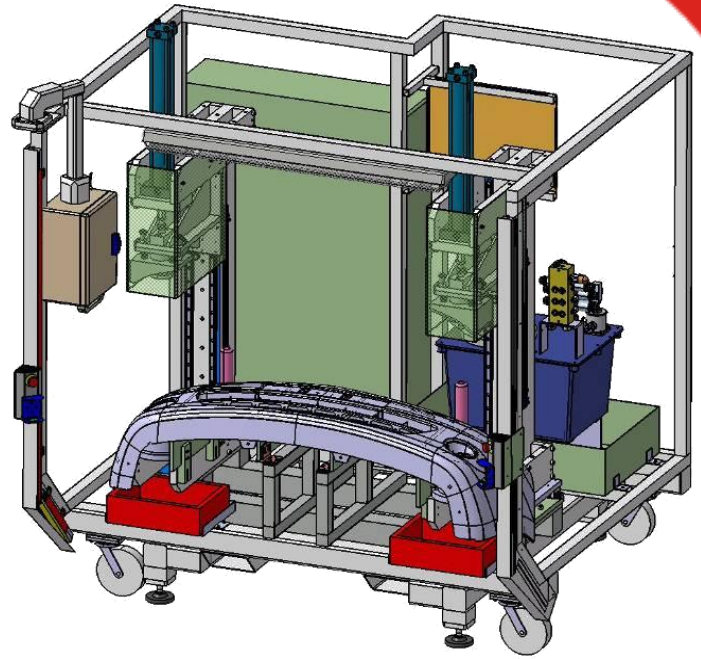
www.baron-groupe.fr



Study

Realization

Control



Examples

